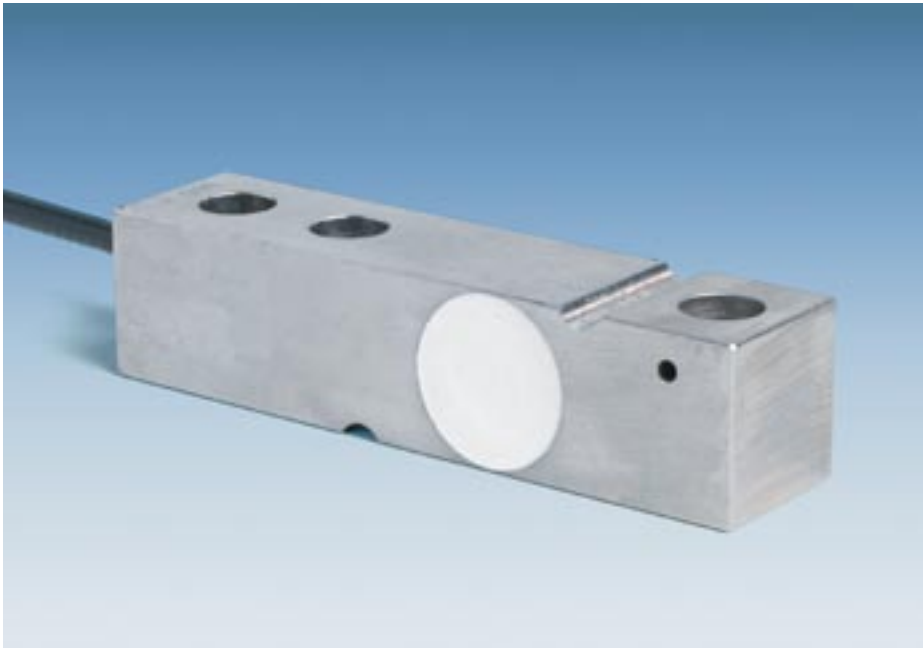


Series 350n

Shear beam load cells for industrial weighing
capacities 300kg to 2,000kg



Nickel plated steel alloy load sensor

5 year warranty

Silicone sealed to IP66

Industry standard configuration

Cost effective

Optional load feet, mounting plates, load buttons and supports

3000 divisions OIML R60 Class C

Optional anti-vibration loading assembly

Simple low cost installation

This cell is typically used in weigh platforms, tanks and vessel weighing, bag filling machines and conveyors, and is approved to OIML R60 3000 divisions.

technical specification sheet

Series 350n

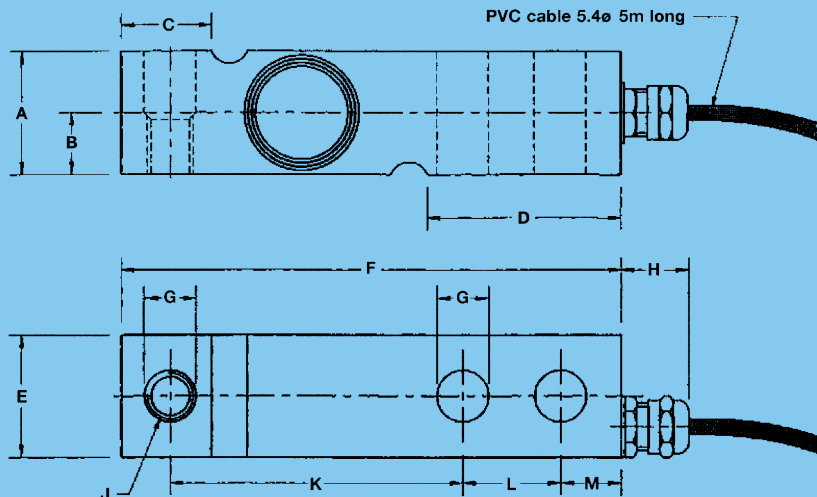
	Load Cell Capacities	Units
Standard Load Ranges	300, 500, 750, 1000	kg
	1500, 2000	kg
Rated Output	2	mV/V±0.1%
Accuracy Class	3000	n.OIML
Combined Error	<±0.017	%*
Non-repeatability	<±0.015	%*
Creep (30 minutes)	<±0.016	%*
Temperature Effect on Zero Balance	<±0.01	%*/°C
Temperature Effect on Span	<±0.006	%*/°C
Compensated Temperature Range	-10 to +40	°C
Operating Temperature Range	-20 to +70	°C
Safe Overload	150	%*
Ultimate Overload	200	%*
Zero Balance	<±2	%*
Input Resistance	400	Ω ± 30
Output Resistance	350	Ω ± 1.5
Insulation Resistance	>5000	MΩ @ 100v
Recommended Supply Voltage	10	V
Maximum Supply Voltage	15	V
Environmental Protection	IP66	-

*With respect to rated output

Load Foot for 350



Our policy is one of continuous product enhancement. We therefore reserve the right to incorporate technical modifications without prior notification.

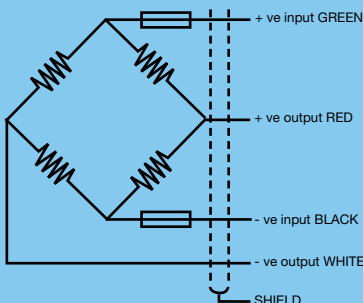


Distributed by

Range (kg)	A	B	C	D	E	F	G	H	J	K	L	M	Weight
300 - 2000	31.5	15	24.6	51.6	31.5	130	13.5	18	M12	76.2	25.4	15.8	0.9kg

All dimensions in mm.

Electrical Connections



Thames Side Sensors Ltd

Unit 10, io Trade Centre, Deacon Way,
Reading, Berkshire RG30 6AZ
tel: +44 (0) 118 941 1387 fax: +44 (0) 118 941 2004
e-mail: sales@thames-side.co.uk
web: www.thames-side.com