

LeverMount®

Unique, patented and cost effective solution for process weighing applications

capacities 10kg to 5000kg



Purpose designed stainless load cell and mount arrangement	LeverMount® can be raised and lowered under load without jacking
Load cell removal without jacking or dummies	Straightforward, low cost installation without specialist tooling
High stability three point mounting	Substantial lift off prevention
Easily configurable for radial or tangential mounting	Tolerant of steel work misalignment
Allows for vessel expansion and contraction	Stainless steel OIML C3 approved load cell, fully welded, sealed to IP68

LeverMount® is the latest development in load cell weighing assemblies from Thames Side Sensors. Process weighing installations are made easier, safer and more cost effective using this simple, innovative design.

Load cells approved to 3000 divisions OIML R60 Class C.

Available with ATEX certification for hazardous area applications. For applications in aggressive environments where stress corrosion or acid attack is an issue, a special parylene coating can be specified as an option. High temperature variants are also available.

LeverMount® - Innovation from Thames Side-Sensors Ltd

The concept of a purpose designed loading assembly using single ended shear beam load cells for vessel weighing was first introduced in the early 1980's. LeverMount® is the latest generation of load cell weighing assemblies from Thames Side Sensors, specifically designed to offer a completely fresh approach to process weighing solutions.

Utilising the established range of Thames Side shear beam and bending beam load cells, the patented LeverMount® retains all of the advantages of previous mount designs, whilst providing improved mechanical stability before, during and after installation.

The top plate of the LeverMount® can be raised and lowered under load without specialist tools. Additionally, the load cell can be removed or replaced without the need for external jacks or dummy load cells. Two types of load cell interface can be specified; a load button and saddle arrangement with expansion/contraction adjustment for static applications such as hoppers and tanks and a ball and cup, self centering, option for dynamic applications such as floor scales.

UNIQUE & SIMPLE

Many other designs of mounting assembly provide a threaded jacking feature which allows a vessel to be supported by the mount prior to the installation of the load cells, however under most load conditions, an external jack is needed to raise and lower the vessel, and threads can become clogged with dirt or powder, rendering the integral jacking mechanism unusable, even under low loads.

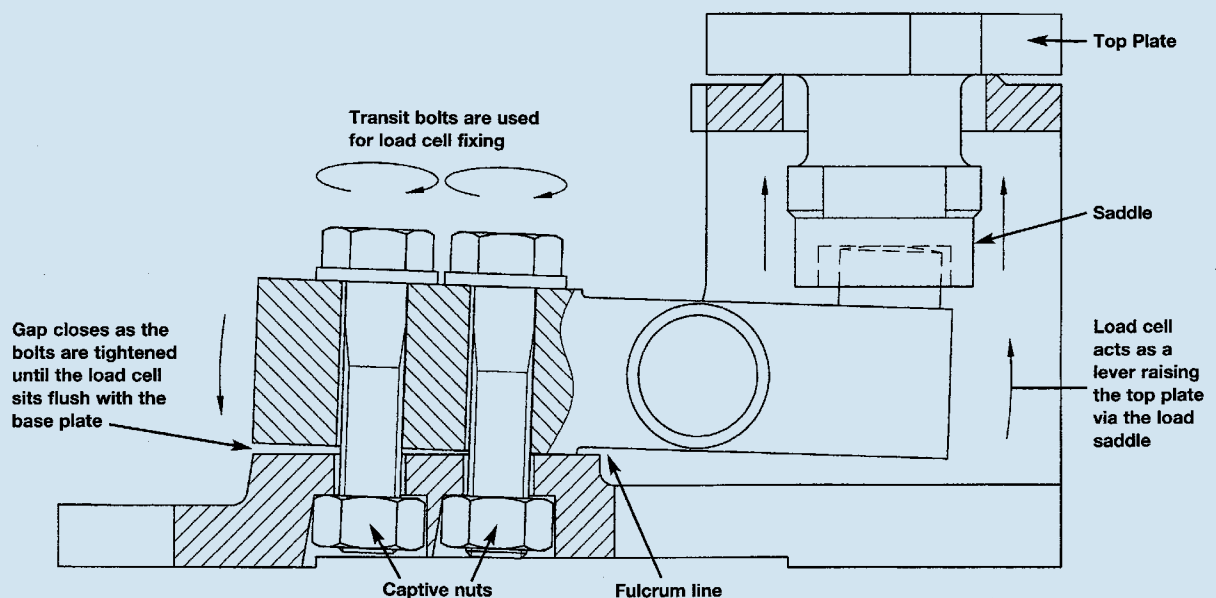
LeverMount's® unique patented design is such that no separate support arrangements are necessary to raise and lower the vessel. The base casting itself provides a stable load-bearing platform prior to installation of the load cell. Once the vessel is in position and the two transit bolts are removed, the load cell is used as a lever to raise the top plate of the mount into the working position, regardless of whether the vessel is empty or full.

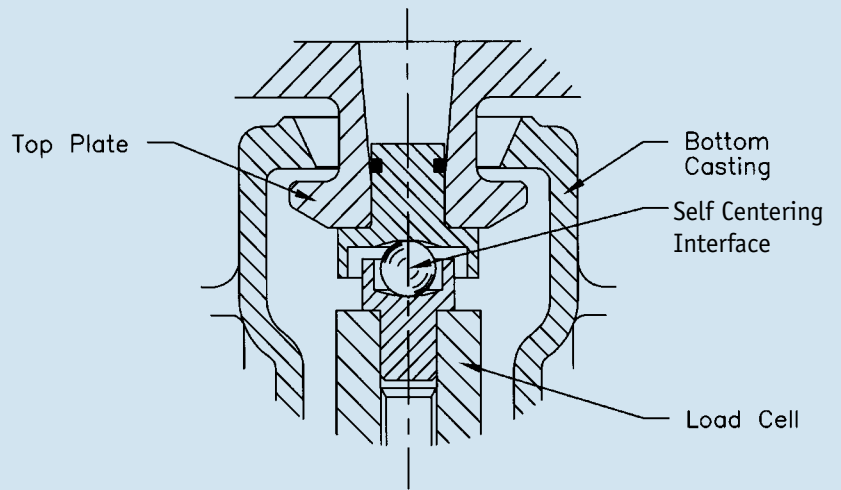
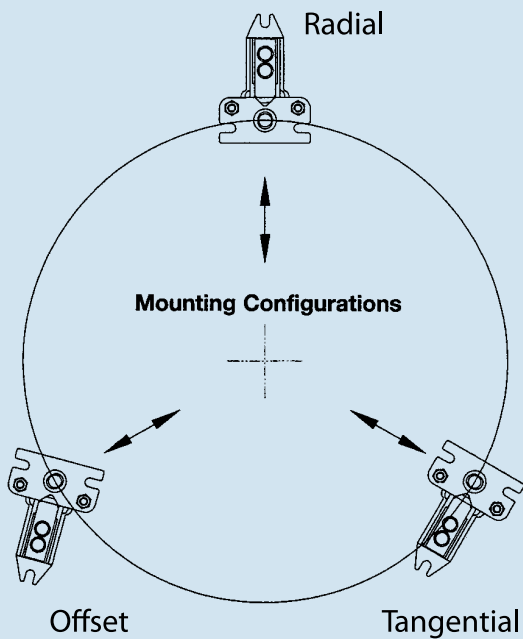


Removal of a load cell at any time is accomplished by reversing the procedure, and requires no jacks, dummy load cells or specialist tools. Installation, operation and maintenance of the vessel weighing system is consequently made safer, easier, swifter and less costly

Load cells for use in the LeverMount® can be specified with ATEX EEx ia IIC T6 certification for both dust and gas in all zones as well as certification which allows Zone 20, 21 and 22 use without safety barriers. High temperature versions are also available for operation up to 150°C utilising special high temperature components and PTFE Teflon cable.

LeverMount® is just one product in an extensive range of innovative Thames Side load cell and mount arrangements, with capacities from 10kg up to 600 tonnes, designed specifically for process weighing and materials storage applications.



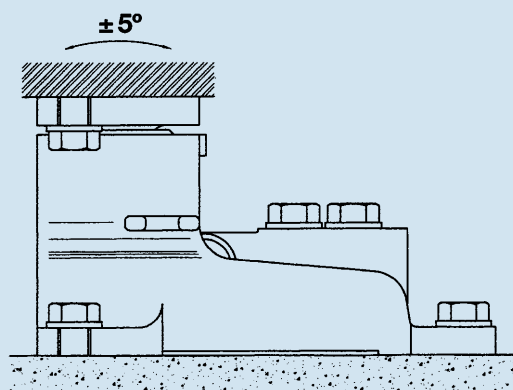
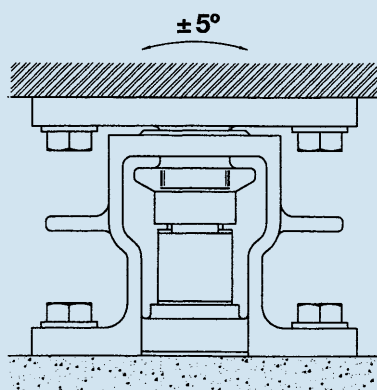


FEATURES

- Purpose designed cast steel mount and stainless steel load cell
- Simple two part casting using the transit bolts with captivated nuts for load cell fixing
- Stainless steel, IP68, fully welded, single ended shear beam load cell
- Load cell acts as the lever to raise and lower the top plate and vessel
- Vessel can be raised and lowered under load
- No jacking screws or support pillars
- Three point support and fixing
- Top plate movement in the lateral and rotational axis
- Configurable for radial, tangential or offset mounting
- Substantial anti-lift facility, over 50% of maximum rated load
- Minimal difference between the working height and the installed height
- Load cell can be easily removed under load in situ
- Three physical sizes cover the range from 10kg to 5000kg

BENEFITS

- Ideal for process weighing applications that require an accurate, safe and cost effective solution
- Aesthetically pleasing design, eliminating the need for additional machining and special bolts
- Suitable for use in the harshest of industrial environments
- No need for alternative lifting devices such as pad jacks
- Easier, quicker and safer than alternative mount arrangements
- No stripped threads or top plate interference
- Eliminates rocking and twisting in the mount, always finds a plane
- Tolerant of steel work misalignment avoiding any mechanically induced errors
- Easy alignment to the radial axis of the vessel to compensate for expansion and contraction.
- Increased safety
- Reduces the need to adjust for pipe work without flexible connections
- Less down time
- Covers the majority of process weighing applications



LeverMount® - Innovation from Thames Side-Sensors Ltd

	LeverMount Lite		LeverMount
	Load Cell Specification	Units	Load Cell Specification
Load Cell Approval	3000 divisions (C3)		3000 divisions (C3)
	OIML R60 Class C		OIML R60 Class C
Load Ranges	10, 20, 50, 100, 150, 200	kg	300, 500, 1000, 2000, 3000 & 5000
Rated Output	2+/- 0.1%	mV/V	2±0.15%
Combined Error	<±0.017	%*	<±0.017
Non-repeatability	<±0.015	%*	<±0.015
Creep (30 minutes)	<±0.016	%*	<±0.016
Temp Effect on Zero Balance	<±0.002	%*/°C	<±0.002
Temp Effect on Span	<±0.0012	%*/°C	<±0.0012
Compensated Temp Range	-10 to +40	°C	-10 to +40
Operating Temp Range	-20 to +70	°C	-20 to +70
Safe Overload	150	%*	150
Ultimate Overload	300	%*	300
Zero Balance	<±1	%*	<±2
Input Resistance	400±20	ohms	400±20
Output Resistance	350±3	ohms	350±3
Insulation Resistance	>5000	Mohms @ 100V.dc	>5000
Recommended Supply Voltage	10	V	10
Maximum Supply Voltage	15	V	15
Cable Length	4	m	5
Protection Class	IP68		IP68

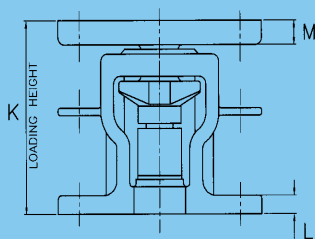
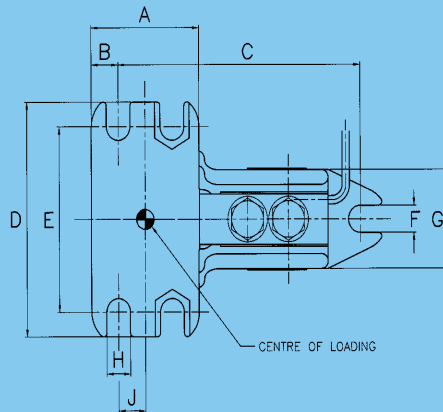
*With respect to rated output

Shipping Weights: (kg)

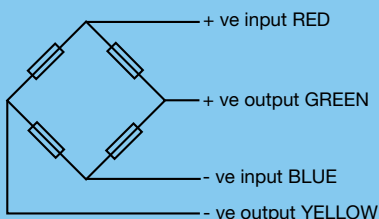
10, 20, 50, 100, 150, 200 = 1.2kg
 300, 500, 1000, 2000 = 4 kg
 3000, 5000 = 9 kg.

Construction

Mount manufactured from cast 316 stainless steel.
 Load cell manufactured from high strength 17-4PH stainless steel, electro-polished, fully welded and sealed to IP68.



Capacity (kg)	A	B	C	D	E	F	G	H	J	K	L	M
20, 50, 100 & 200	70	16	147	100	80	9	55	9	19	80	7	8
300, 500, 1000, 2000	70	16	168	132	108	14	60	14	19	110	12	12
3000, 5000	100	25	225	190	150	22	80	22	25	164	15	20



Electrical Connections
 *Via 4 core, 7/0.2mm (0.22mm²), screened polyurethane cable.

Screen is not connected electrically to the load cell.

UK Patent No. 2 339 026
 US Patent No. 6 320 142

Our policy is one of continuous product enhancement. We therefore reserve the right to incorporate technical modifications without prior notification.
 LeverMount® is a registered trade mark of Thames Side Sensors Limited.

Distributed by



Thames Side Sensors Ltd

Unit 10, io Trade Centre, Deacon Way,
 Reading, Berkshire RG30 6AZ
 tel: +44 (0) 118 941 1387 fax: +44 (0) 118 941 2004
 e-mail: sales@thames-side.co.uk
 web: www.thames-side.com