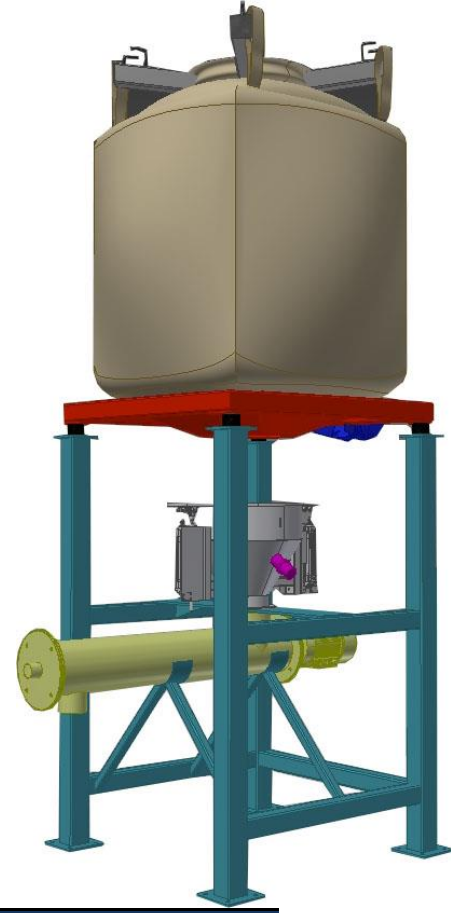


BB02 – BIG BAG DISCHARGING

Fast, Safety and Hygienic Products

Big-Bag discharging systems are specifically designed for discharging a large variety of products from different types of Big Bags. They eliminate dust emissions, product loss or product contamination. This modular range encompasses the discharge of single or Multi-trip bags, with or without plastic liner. Also a number of unique options are available for the safe and hygienic discharge of food ingredients, pharmaceutical products and toxic materials.



The BFM range is based on a simple but very flexible modular concept, whereby the basic models can be extended with several options to obtain a complete solution for discharging Big-Bags. BFM has a wide range of expertise in the application of this type of equipment with proven reliability in practice. This is essential for a correct assessment of the right type of system for your particular situation.

