

650

S-beam load cells for commercial weighing

capacities 250kg to 7,500kg



Stainless steel load sensor

Tension/compression

2.0mV/V rationalised output

Range of accessories available

fully welded construction sealed to IP68

Excellent long term stability

5 year warranty

3000 divisions OIML R60 class C

A range of Stainless steel "S" beam load cells for commercial weighing to OIML R60 3000 divisions. Welded construction ensures total environmental sealing coupled with excellent long term stability. A high temperature variant for operation in environments up to 150 °C is also available.

For applications in aggressive environments where stress corrosion or acid attack is an issue, a special parylene coating can be specified as an option

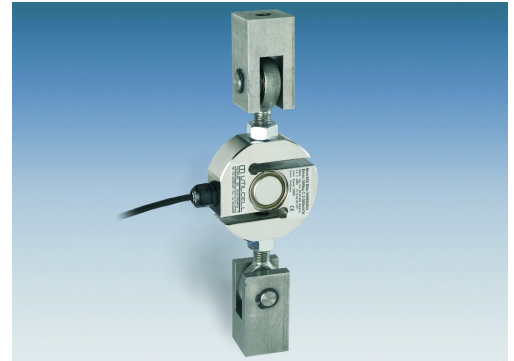
technical specification sheet

650

	Load Cell Capacities	Units
Standard Load Ranges	250, 500, 1000, 2000, 5000, 7500	kg
Rated Output	2.0	mV/V \pm 10%
Accuracy Class	3000	n.OIML
Excitation Recommended	10	V
Excitation Maximum	15	V
Safe Service Load	150	%
Ultimate Load	200	%
Combined Error	< \pm 0.017	%
Repeatability	< \pm 0.015	%
Output at Zero load	< \pm 2.0	%
Input Resistance	400 \pm 20	ohms
Output Resistance	350 \pm 3	ohms
Operational Temperature Range	-20 to +70	$^{\circ}$ C
Compensated Temperature Range	-10 to +40	$^{\circ}$ C
Temperature Effect on Zero	< \pm 0.002	%/ $^{\circ}$ C
Temperature Effect on Sensitivity	< \pm 0.0012	%/ $^{\circ}$ C
Creep 30 mins (at 20 $^{\circ}$ C)	< \pm 0.016	%
Environmental, Protection	IP68	
Cable Length	5	m
Insulation	>5000	M ohms

All percentages are related to Full Rated Load

Tension Accessories



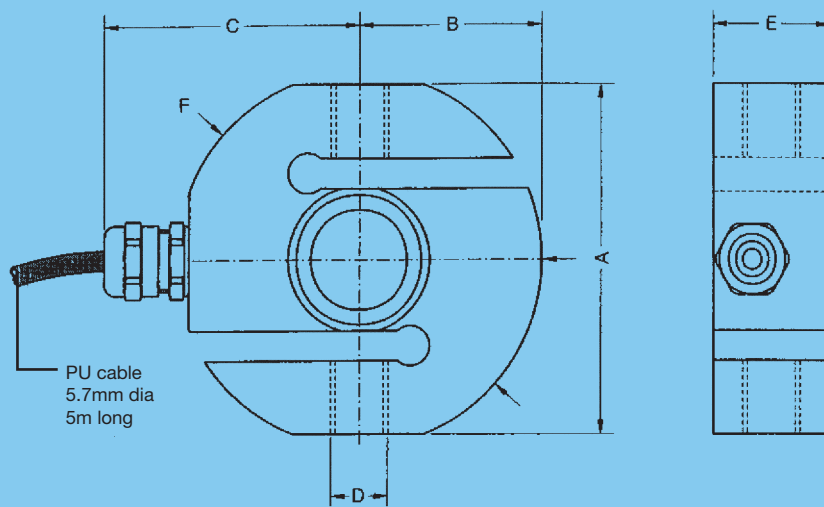
Our policy is one of continuous product enhancement. We therefore reserve the right to incorporate technical modifications without prior notification.

Distributed by



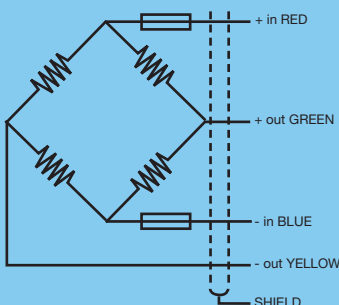
Thames Side Sensors Ltd

Unit 10, io Trade Centre, Deacon Way,
Reading, Berkshire RG30 6AZ
tel: +44 (0) 118 941 1387 fax: +44 (0) 118 941 2004
e-mail: sales@thames-side.co.uk
web: www.thames-side.com



Nominal Load	A	B	C	D	E	F ϕ	Shipping Weight kg
250-500kg	70	37.5	50	M12x1.75	24.54	75	1
1-2t	95	50	60	M20x1.5	30	100	2
5t	120	62.5	72.5	M24x2	40	125	4
7.5t	120	62.5	72.5	M24x2	56	125	5.5

All dimensions in mm.



Electrical Connections
Via 4 core, 5.7mm diameter screened polyurethane cable.

Construction
17-4PH stainless steel. Fully welded.

Screen not connected to load cell body.